

Figure 1: Crown Molding Palm Assembly

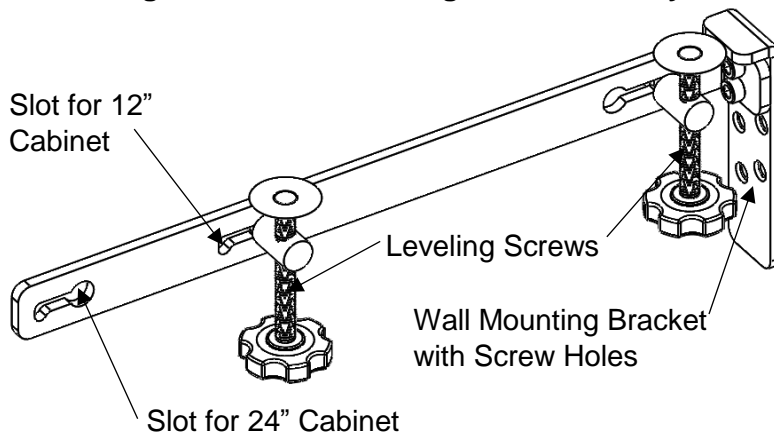


Figure 2: Cabinet Palm Assembly

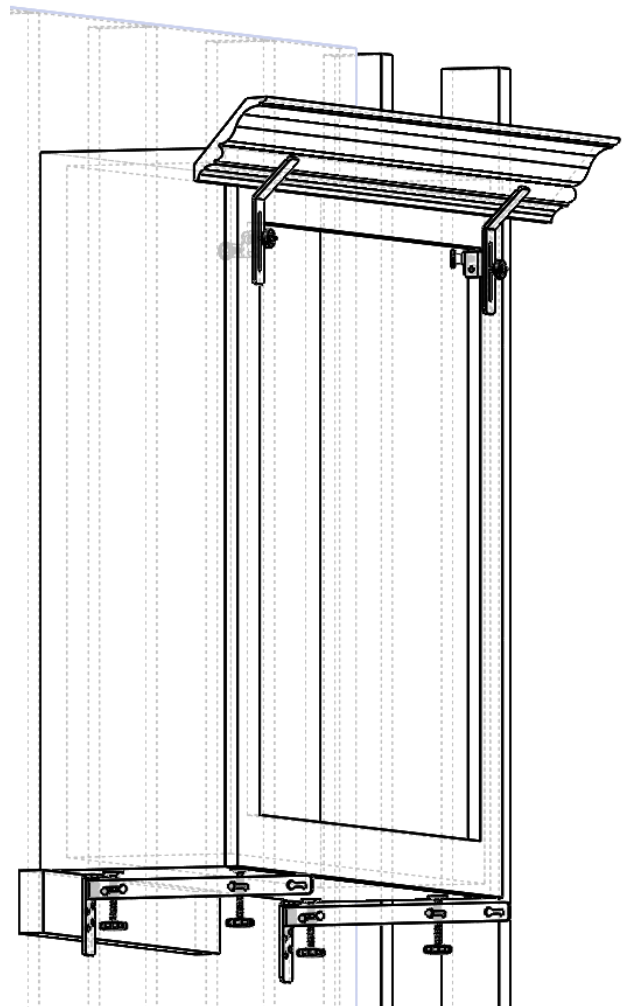


Figure 3: Product with Cabinet and Crown Molding

PICTURES FOR ILLUSTRATIVE PURPOSES ONLY

Crown Molding Palm Assembly

- Material: 6061 aluminum
- Screws: M6x1.0 thumb screws
- Countersunk screw holes
- Electrophoresis coating

Cabinet Palm Assembly

- Material: Hot forged steel
- Leveling Screws: M8x1.25 thumb screws
- Comprised of an arm and wall mounting bracket
- Assembly Screws: M6x1.0 hex socket screws, black oxide finish
- Electrophoresis coating
- Can accommodate 12" or 24" cabinets
- Rated for 50 lbs per pair of palms

Note: A professional should always be consulted to ensure the appropriate selection and use of this product.